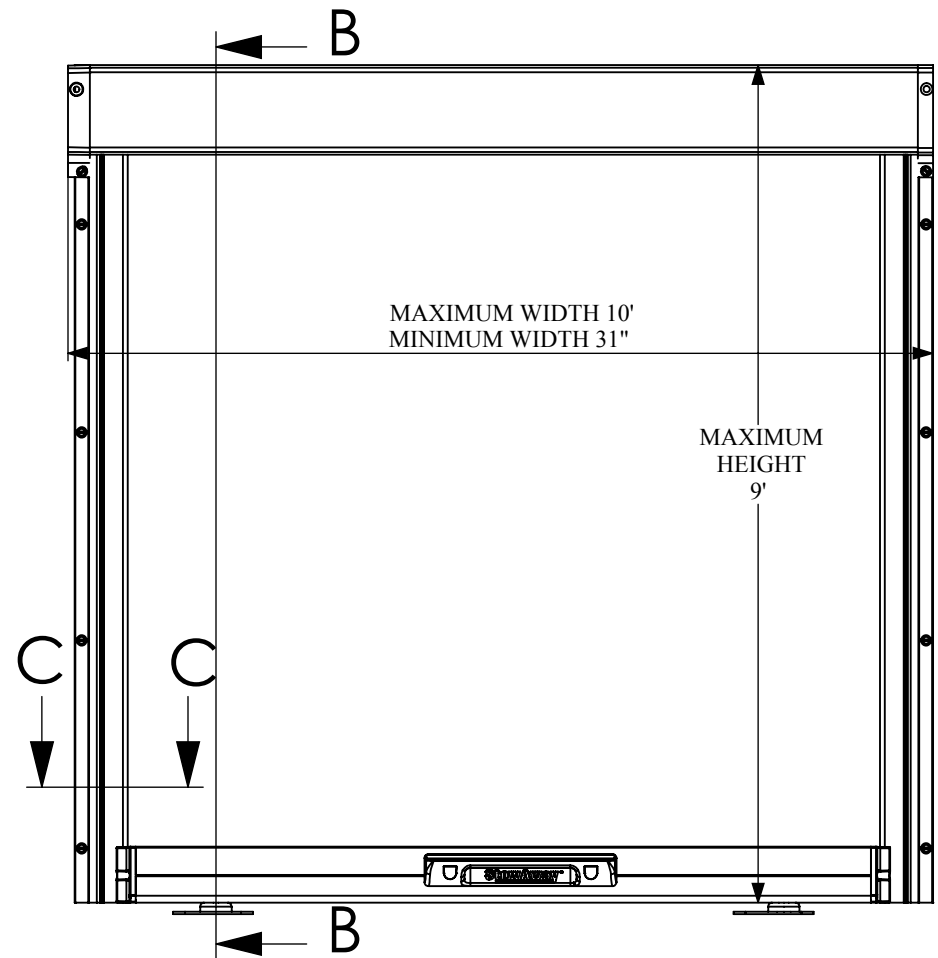
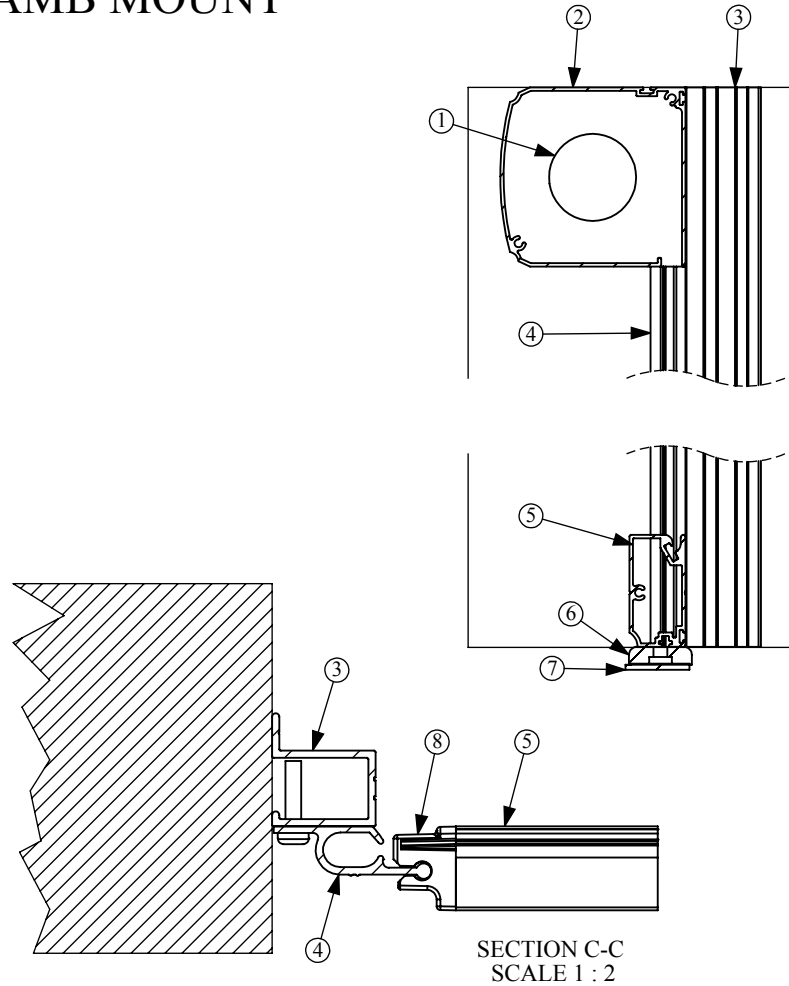
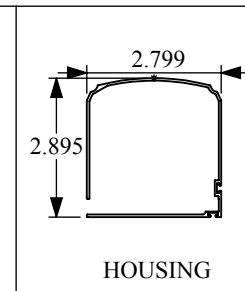
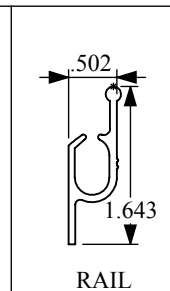
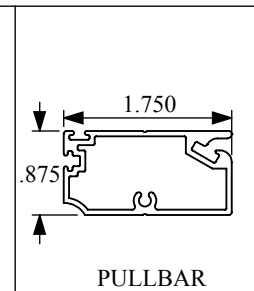
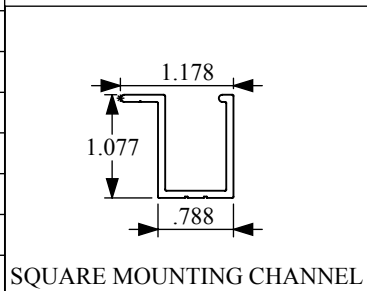


PANORAMALITE JAMB MOUNT



NO.	DESCRIPTION	QTY.
1	Roll Tube	1
2	Housing	1
3	Square Mounting Channel	2
4	Rail	2
5	Pullbar	1
6	Magnet	2
7	Strike Plate	2
8	Pullbar Cap	2



STOETT
INDUSTRIES

PANORAMALITE JAMB MOUNT

SIZE A	DWG. NO.	REV.
SCALE:1:10	WEIGHT:	SHEET 1 OF 1