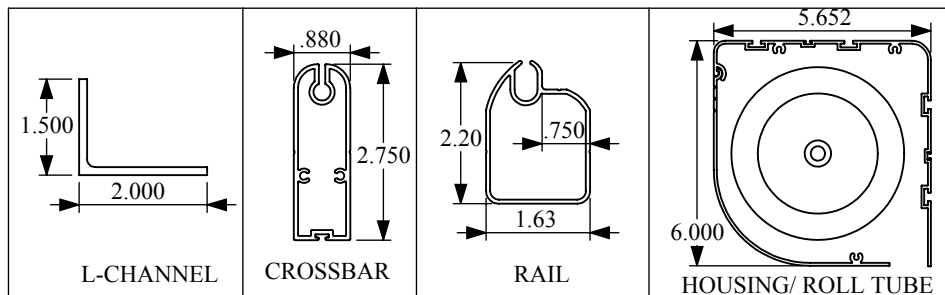
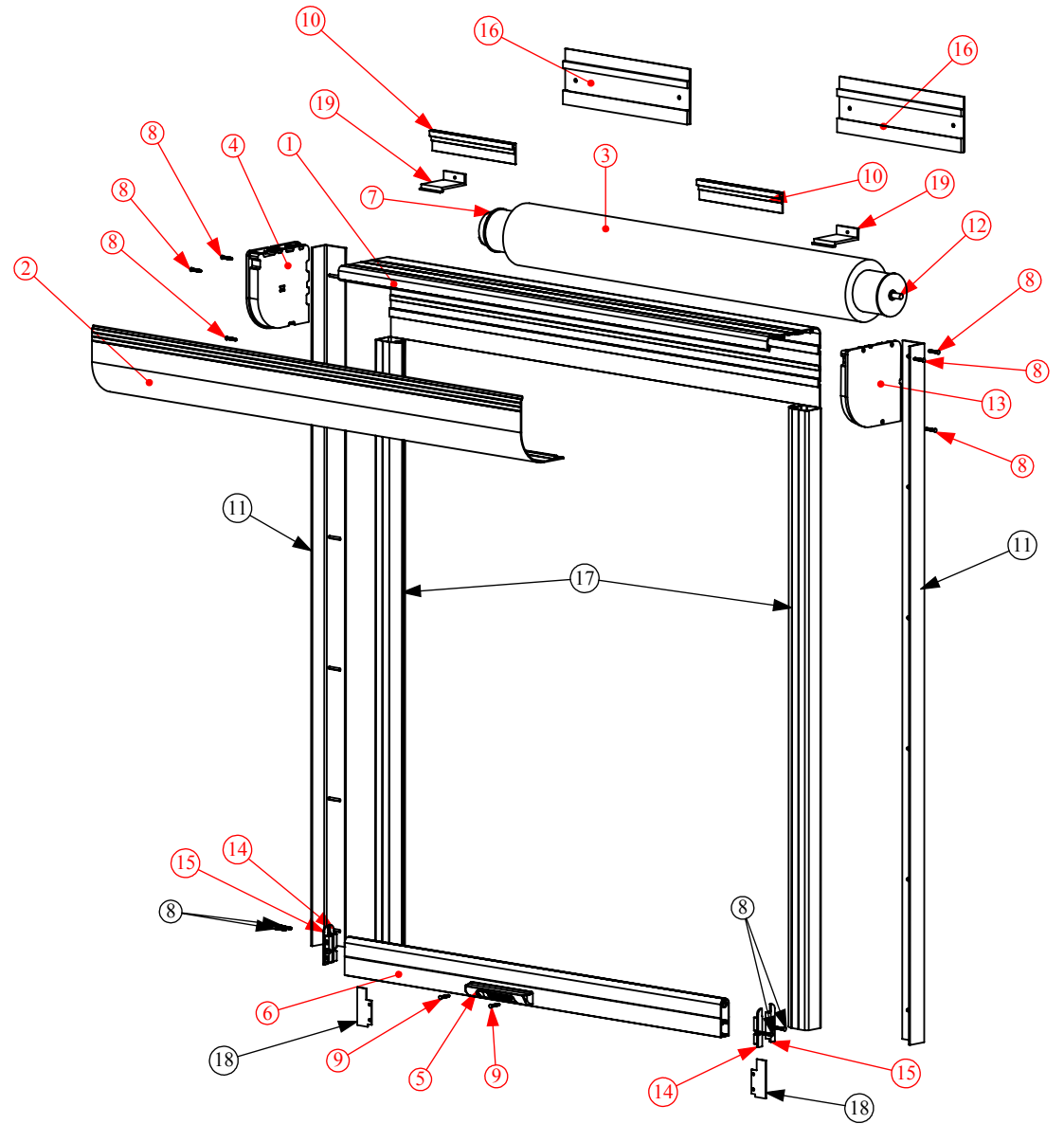


ITEM NO.	DESCRIPTION	QTY.
1	Housing Back	1
2	Front Cover	1
3	Roll Tube	1
4	Motor/Spring Side Cap	1
5	Handle	1
6	Crossbar	1
7	Motor or Spring	1
8	#6 x 1 Flathead	18
9	#8 x 1 1/2 Panhead	2
10	Housing Bracket	2
11	L-Channel	2
12	Idler Pin	1
13	Housing Cap (pin side)	1
14	Pull Bar Cap - Left	2
15	Pull Bar Cap - Right	2
16	Quick Bracket	2
17	Rail	2
18	Stainless Steel Guide	2
19	Strap Bracket	2



STOETT
INDUSTRIES

PANORAMA

SIZE A	DWG. NO.	REV. 1
SCALE:1:50		WEIGHT:
SHEET 1 OF 1		