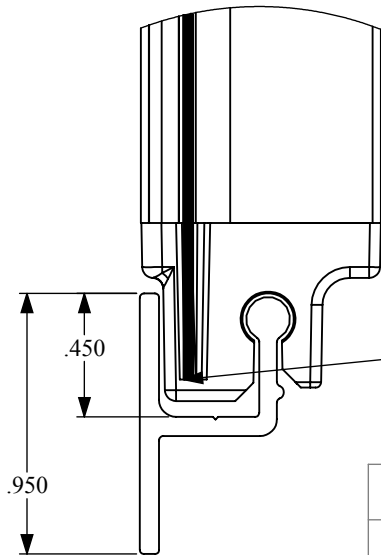
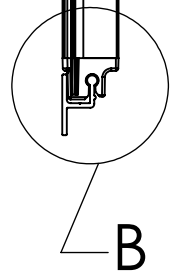


LOCATION OF THE EDGE OF THE SCREEN ON THE NEW LARGE TOP RAIL

DETAIL A
LARGE TOP
STOWAWAY RAIL

STOWAWAY SCREEN DOOR
WITH LARGE TOP RAIL AND
STANDARD BOTTOM RAIL



LOCATION OF THE EDGE OF THE SCREEN ON THE STANDARD RAIL

DETAIL B
STANDARD
STOWAWAY RAIL

STANDARD COMMERCIAL TOLERANCE FOR EXTRUDED ROD, BAR AND SHAPES APPLY UNLESS SPECIFICALLY SHOWN OTHERWISE.

PROPRIETARY AND CONFIDENTIAL
THE INFORMATION CONTAINED IN THIS DRAWING IS THE SOLE PROPERTY OF STOETT INDUSTRIES. ANY REPRODUCTION IN PART OR AS A WHOLE WITHOUT THE WRITTEN PERMISSION OF STOETT INDUSTRIES IS PROHIBITED.

	NAME	DATE
CHECKED		
DRAWN	R. DESOTA	3-20-14
COMMENTS:		



LARGE TOP RAIL

SIZE A	DWG. NO.	REV.
SCALE:1:5	WEIGHT:	SHEET 1 OF 1