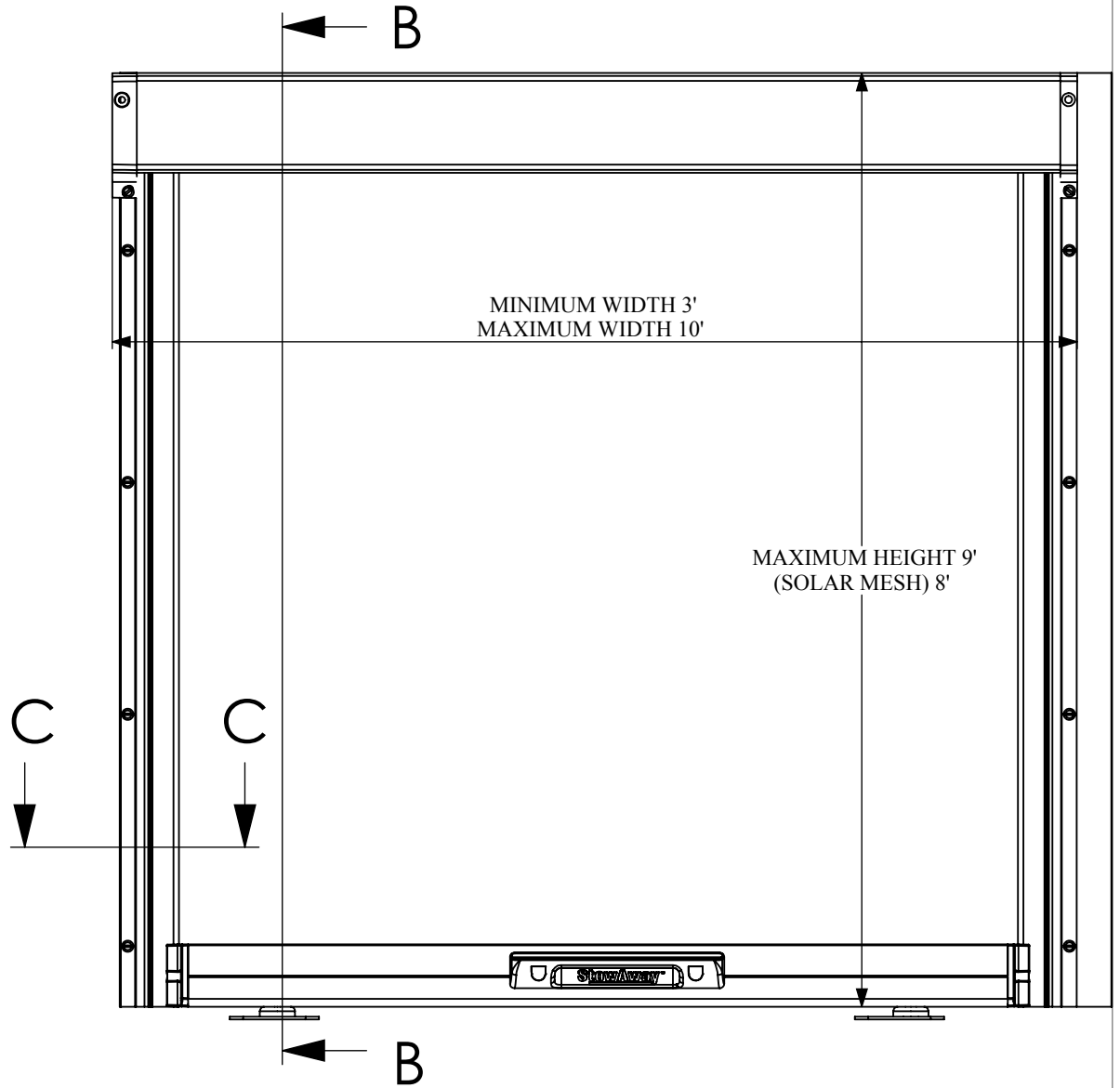
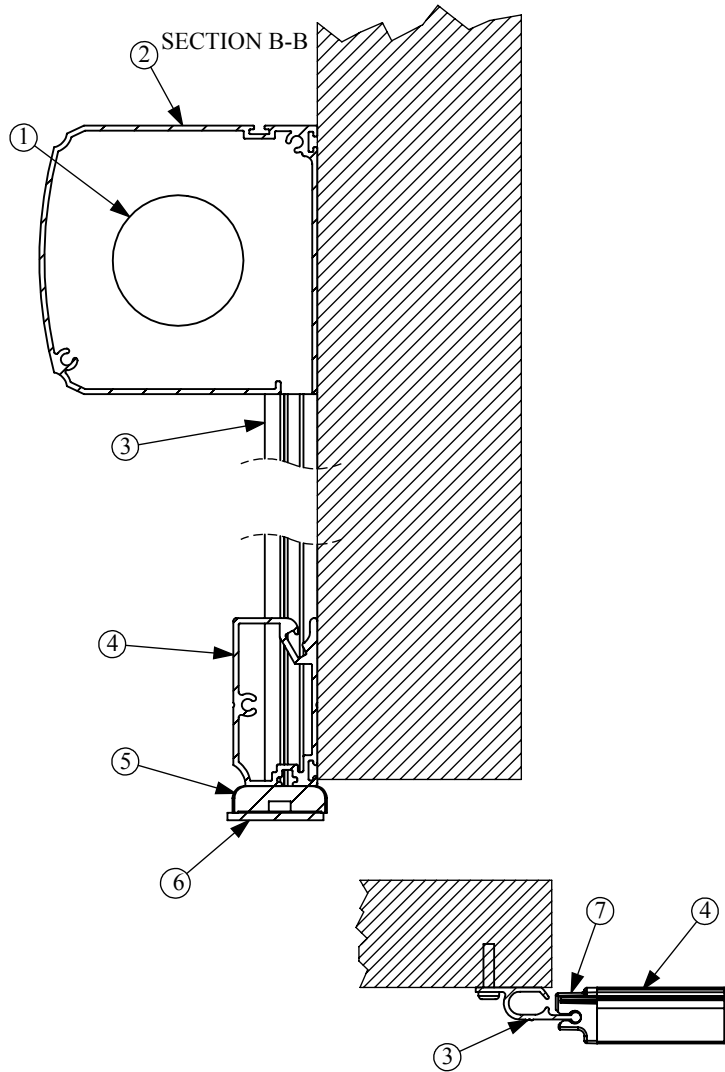
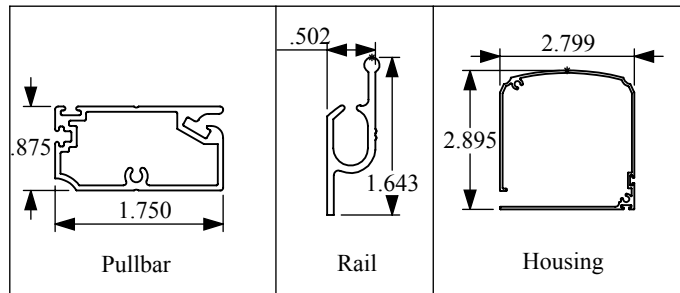


PANORAMALITE FLAT SURFACE MOUNT



NO.	DESCRIPTION	QTY.
1	Roll Tube	1
2	Housing	1
3	Rail	1
4	Pullbar	1
5	Magnet	2
6	Strike Plate	2
7	Pullbar Cap	1

SECTION C-C



STOETT
INDUSTRIES

PANORAMALITE SURFACE MOUNT

SIZE A	DWG. NO.	REV. A2
SCALE: 1:10	WEIGHT:	2-20-2013