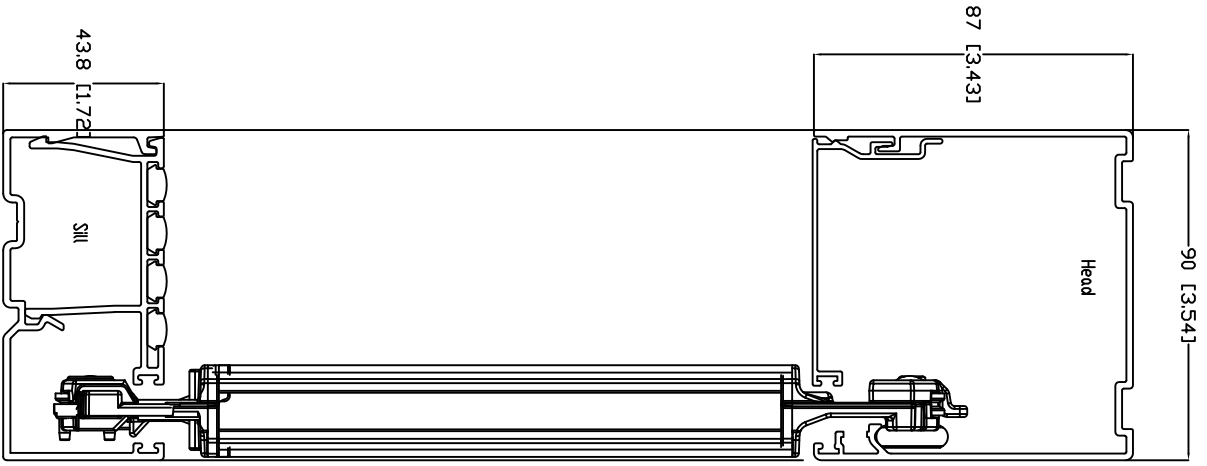
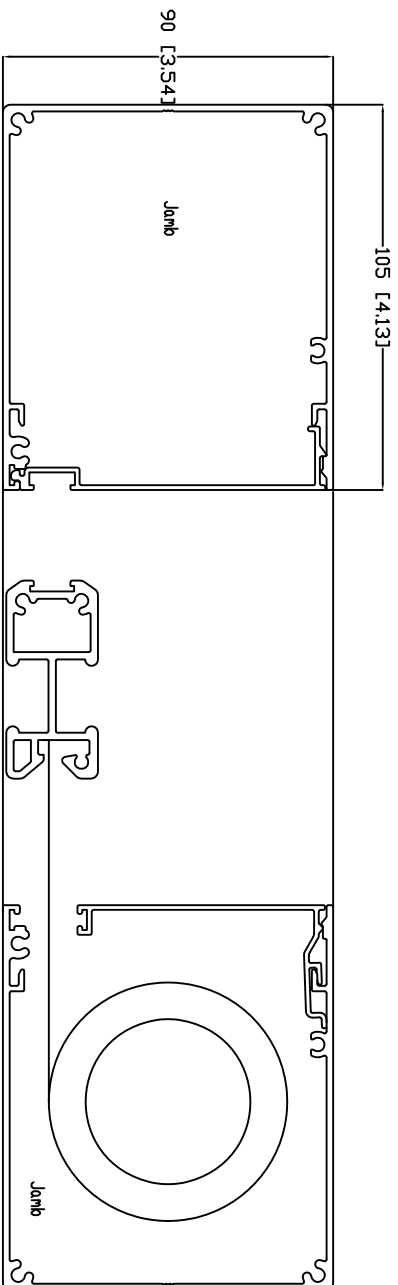


Vertical Section



Inside of the house

Horizontal Section



Inside of the house

STANDARD COMMERCIAL TOL FRAMES FOR
EXTRUDED ALUMINUM AND STEEL. APPLY
UNLESS SPECIFICALLY SHOWN OTHERWISE.

PROPRIETARY AND CONFIDENTIAL

THE INFORMATION CONTAINED IN THIS
DRAWING IS THE SOLE PROPERTY OF
STOETT INDUSTRIES. ANY REPRODUCTION
IN PART OR AS A WHOLE WITHOUT THE
WRITTEN PERMISSION OF
STOETT INDUSTRIES IS PROHIBITED.

DIMENSIONS ARE IN INCHES TOLERANCES: FRACTIONAL ± ANGULAR ±1°0'		CHECKED	NAME	DATE
TWO PLACE DECIMAL ±.01		THRAWN	R. DESOTA	3-11-10
THREE PLACE DECIMAL ±.001		COMMENTS:		
MATERIAL	-			
EST. AREA	-			
EST. WT./FT.	-	SQ. IN.		
LB./SQ. FT.	-	SCALE: 3/4" = 1"	WEIGHT:	

STOETT
INDUSTRIES

S1 FRAME SECTIONS

SIZE DWG. NO. A

SHEET 1 OF 1

REV.