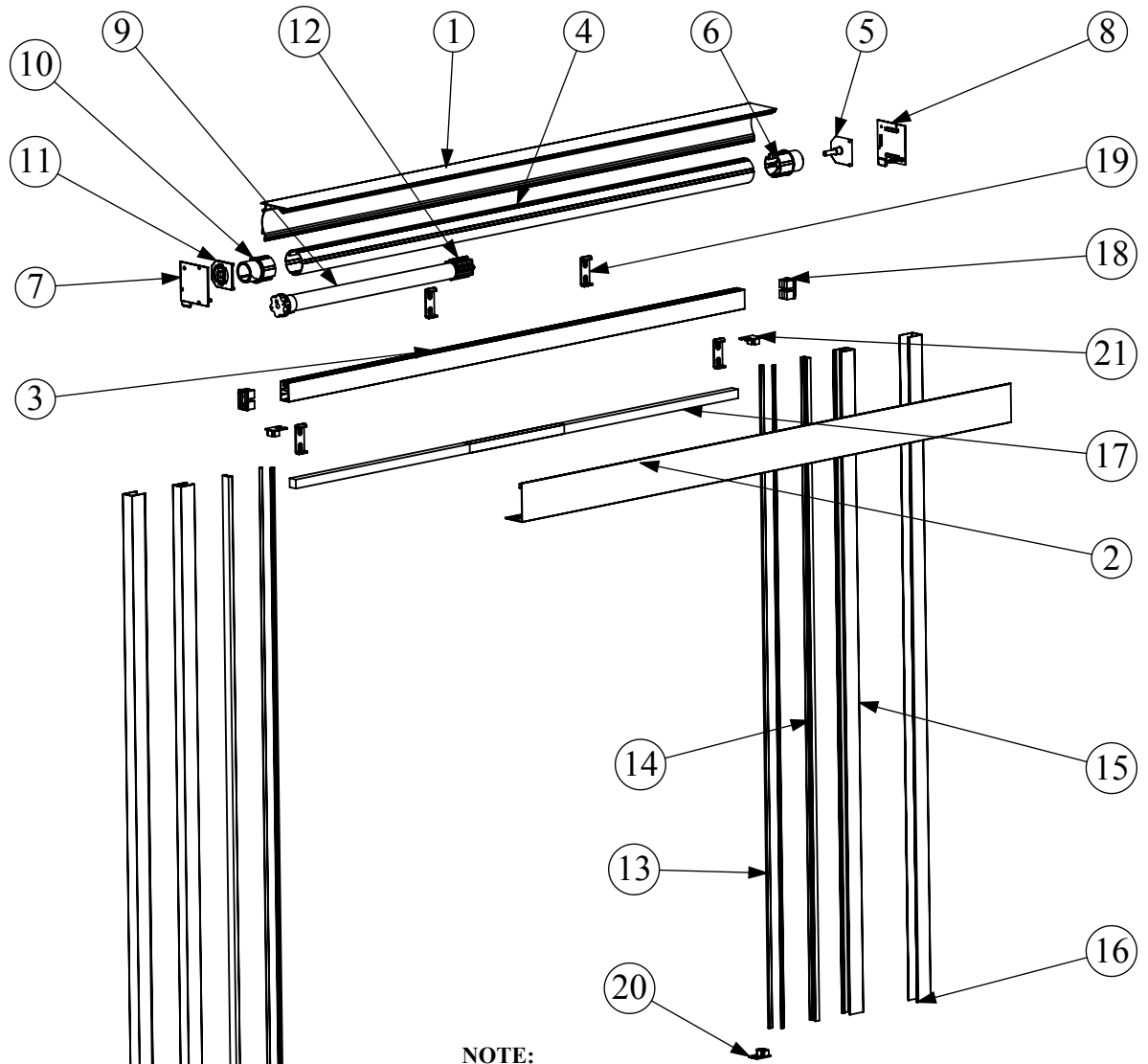
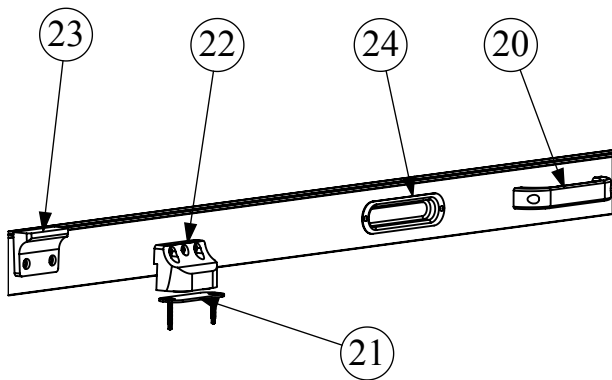


ITEM NO.	PART NUMBER	QTY.
1	Back Housing	1
2	Front Cover	1
3	Crossbar	1
4	Roll Tube	1
5	Housing Cap Pin Side Insert	1
6	Roll Tube Pin Side Insert	1
7	Left Housing Cap	1
8	Right Housing Cap	1
9	PanUltra Motor	1
10	Roll Tube Motor Insert	2-4
11	Housing Cap Motor Insert	1
12	Motor Drive Gear	1
13	Zip Guide Retainer	4
14	Zipper Retainer	2
15	Zip Guide Rail	2
16	Outside Rail	2
17	Steel Weight	2
18	Crossbar Cap	2
19	Mounting Bracket	2-4
20	D-Handle (standard) (Spring)	1 set
21	Strike Plate (Spring)	2-3
22	Magnet Base (Spring)	2-3
23	Spring Stops (Spring)	2
24	Recessed Handle (optional upcharge)	1-2



**NOTE:**  
You will need to be able to turn the power on & off to each motor individually



STANDARD COMMERCIAL TOLERANCE FOR EXTRUDED ROD, BAR AND SHAPES APPLY UNLESS SPECIFICALLY SHOWN OTHERWISE.

**PROPRIETARY AND CONFIDENTIAL**  
THE INFORMATION CONTAINED IN THIS DRAWING IS THE SOLE PROPERTY OF STOETT INDUSTRIES. ANY REPRODUCTION IN PART OR AS A WHOLE WITHOUT THE WRITTEN PERMISSION OF STOETT INDUSTRIES IS PROHIBITED.

MOTOR SPECS				
VOLTS	AMPS	Hz	TORQUE (IN/LBS)	RPM
120	2.1	60	309	20
DIMENSIONS ARE IN INCHES TOLERANCES: FRACTIONAL ± ANGULAR: ±1 °0'		NAME	DATE	<b>STOETT</b> INDUSTRIES
TWO PLACE DECIMAL ±.01 THREE PLACE DECIMAL ±.001		CHECKED		
MATERIAL		DRAWN	R. DESOTA	3-2-21
EST. AREA		COMMENTS:		
EST. WT./FT. SQ. IN.		PANULTRA EXPLODED DIAGRAM		
LBS./FT.		SIZE	DWG. NO.	REV.
		A		
		SCALE:1:1	WEIGHT:	SHEET 1 OF 1